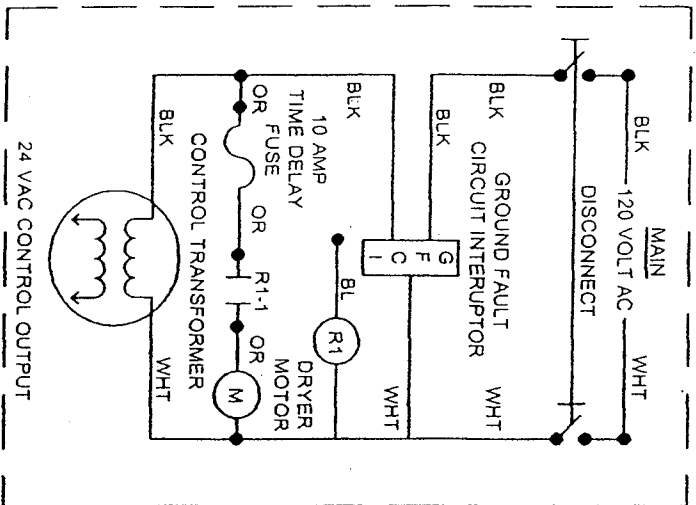
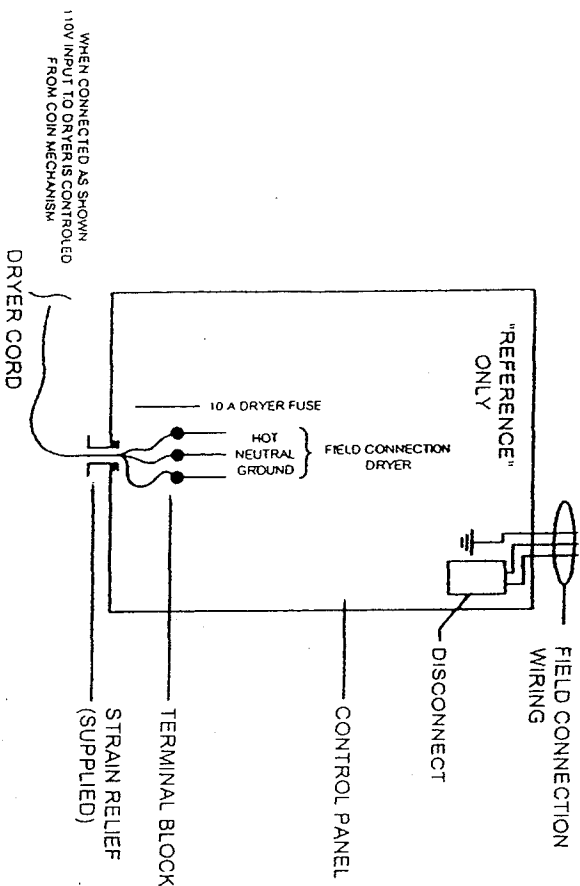
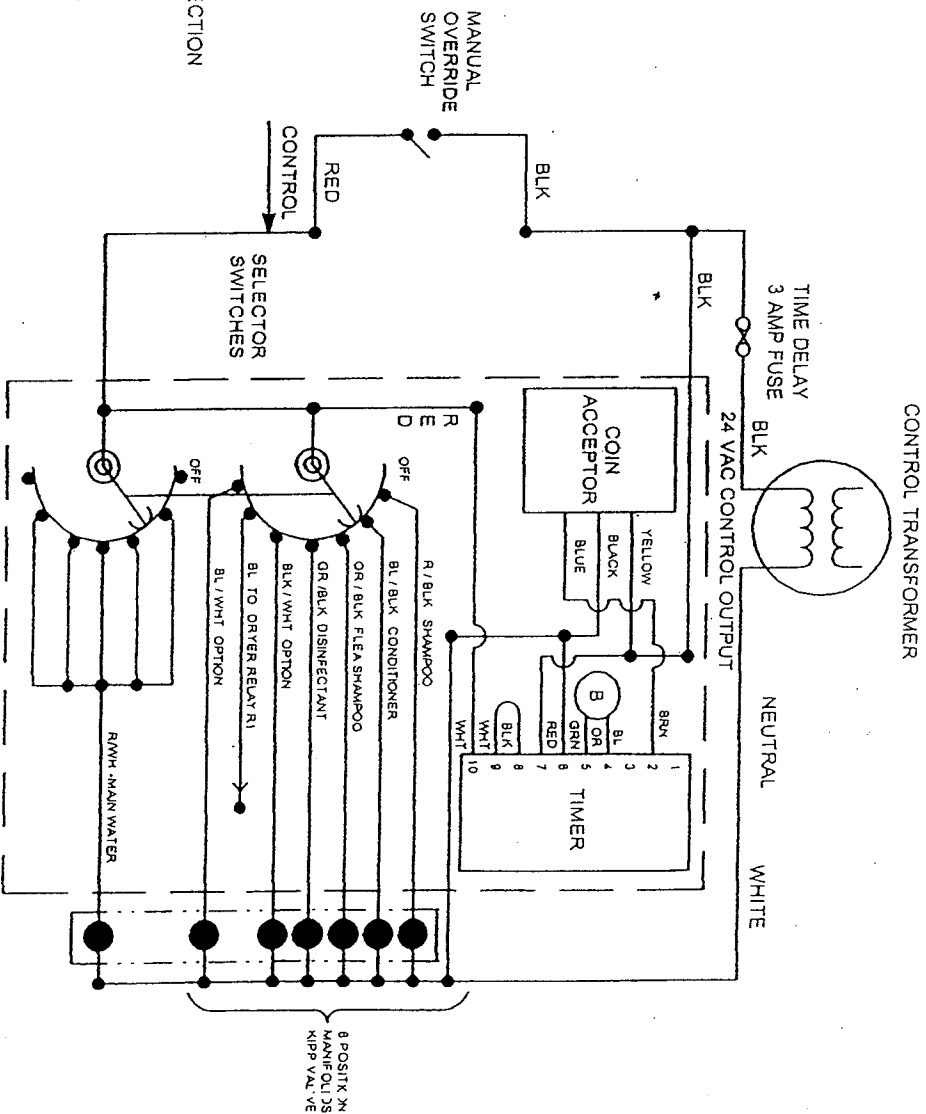


ALL WIRING THIS SECTION IS #12 AWG



ALL WIRING THIS SECTION IS #18 AWG



P.D. McLAREN LIMITED CANADA  
5069 BERESFORD STREET, BURNABY B.C. V5A 1H8

TITLE: K9 SELF SERVE PET WASH WIRING DIAGRAM

DATE: FEB 2, 2006

SCALE: N.T.S.

DRAWING NUMBER: 1 OF 2